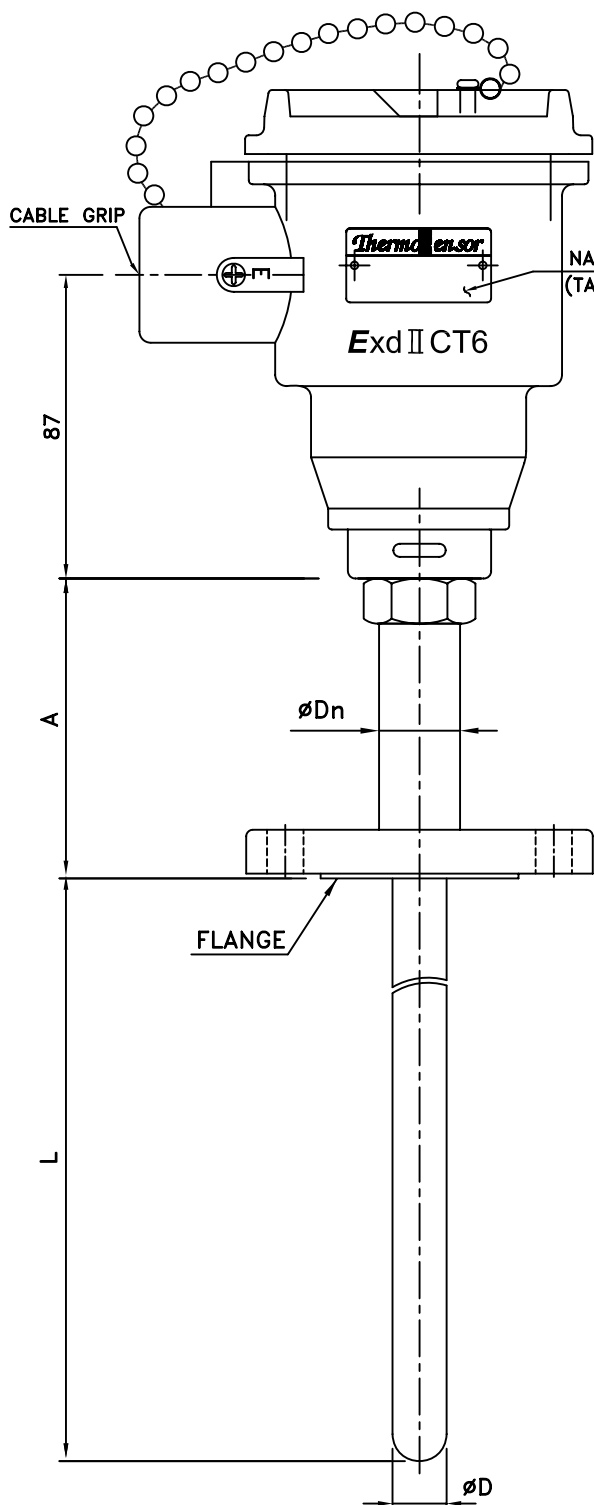


ST SUPER THERMOCOUPLES MODEL SST-916

***GENERAL SPECIFICATION**

- PROBE TYPE SUPER SHEATHED TYPE
- TERMINAL HEAD EXPLOSION PROOF TYPE (ExdIICT6)
- MATERIAL ALUMINUM ALLOY
- SURFACE COLOR METALLIC SILVER
- TERMINAL BLOCK PHENOL RESIN
- MOUNTING TYPE NIPPLE & FIXED FLANGE



***ORDER SPECIFICATION**

ELEMENT

① CALIBRATION

1. N 2. K

② GRADE

1. CLASS 1 2. CLASS 2
 3. CLASS 3 4. OTHER []

③ NUMBER OF ELEMENT WIRE

1. 2-WIRE [SINGLE] 2. 4-WIRE [DUAL]

④ TYPE OF HOT JUNCTION

1. GROUNDED TYPE
 2. UNGROUNDED TYPE
 3. EXPOSED TYPE

SHEATHED TUBE

⑤ MATERIAL

1. SUPPER ALLOY 2. OTHER []

⑥ OUT DIA (ϕD)

1. 0.25 2. 0.5 3. 1.0 4. 1.6
 5. 2.3 6. 3.2 7. 4.8 8. 6.4
 9. 8.0 10. OTHER []

⑦ LENGTH (L)

- _____ mm

MOUNTING

⑧ FLANGE SIZE

- _____

⑨ FLANGE MATERIAL

- 1.SUS304 2.SUS316 3.OTHER[]

⑩ NIPPLE OUT DIA (ϕD_n)

1. 15 2. 17 3. 22 4. OTHER []

⑪ NIPPLE LENGTH (A)mm

1. 80 2. 100 3. OTHER []

SPECIAL REQUIREMENT

5					CUSTOMER	Design		Scale	N.S
4						Checked		Wt Est - Kg	
3						Approved		Date	
2						TITLE			
1						MODEL			
Item	Part Name	Material	Q'ty	Remark					

